

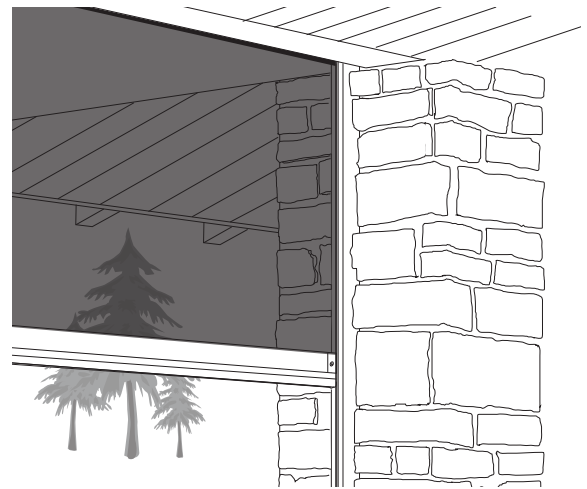
Oasis 2900 Retractable Insect Screen: Detailing Guide

Detailing Oasis 2900 Retractable Insect Screens and Patio Shades into New Construction Projects

We receive a lot of requests for help with new construction projects. Site conditions vary dramatically on each project, and solutions for each project require careful planning.

WE ARE HERE TO HELP!

The attached pages summarize some basic installation details and highlight access considerations. Insolroll is available to consult on any specific proposed built-in details you may be working on. Send us drawings and photos to provide as much information as possible.



Built-in Oasis 2900 with recessed sidetrack in masonry columns.

ALL OASIS 2900 SHADES ARE MOTORIZED

Please determine the right motor and control solution for your project and download the appropriate pre-wire information.

SITE CONDITIONS

Design all site-built pockets and valance designs with easy access to install and service. Review the attached pages for typical pocket and access solutions. Please note that detailing shades in site-built pockets requires special care and a coordinated effort between several trades. Additional detailing is required when recessing side channels.

FLOOR SLOPE

Insolroll shades have a 1" flexible seal strip on bottom of shade. Openings with more than 3/4" variance may require other floor leveling techniques (by others).

SPECIAL NOTES on any pocket application:

- Sell U-Track for all Oasis 2900 recessed track applications (preserves space/ prevents damage)
- Note that outside mounting bracket aligns with outside of side tracks- requires pocket be wider (at least 4") than the inside of column width.
- To fit shade assembly into pocket when tracks are recessed requires pocket be wider and/or taller than normal
- **Highly Recommended**– Detail Pocket so that full width access (bracket to bracket) is available to shade from front or bottom. **It is required that this access closure be easily removable for shade maintenance.**



OASIS 2900 RETRACTABLE INSECT SCREEN

Built-in Shade Applications for New Construction

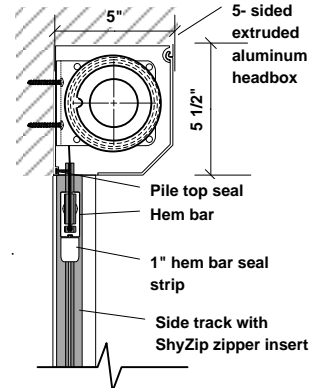
How to detail Oasis 2900 into structure.

Installation details vary dramatically from project to project. Applications shown can give you ideas to incorporate into your next project. Pay attention to shade access, clear opening height, side track mount, and electrical hook-up.



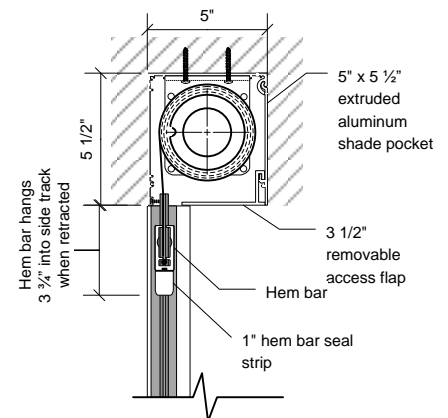
5" headbox integrated with structure.

- 5" x 5 1/2" aluminum headbox can be integrated into architecture for easy access to shade by removing front/bottom cover. Wall or ceiling mount available.
- Side track can be pre-drilled for face mount or side mount as shown.



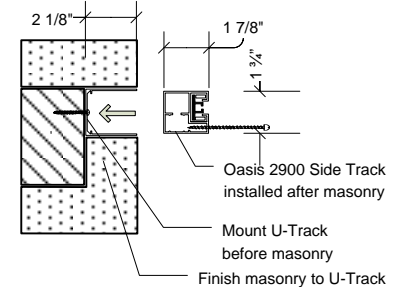
Oasis 2900 shades can be built into soffit with aluminum pocket

- 5" x 5 1/2" aluminum shade pocket with access flap.
- Shades require access from the bottom.
- Trim can be attached to pocket or access flap if desired.
- Shade hangs below aluminum pocket or head box into side tracks 3 3/4" when retracted.



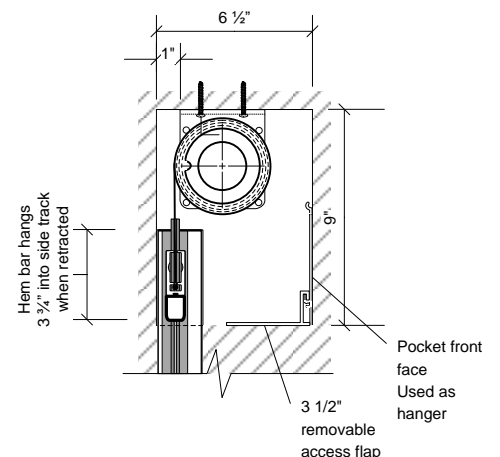
Side tracks can be built into columns with U-track for recessed appearance

- U-Track should be aligned with shade coming off roll for smooth operation.
- 1 15/16" x 2 1/8" U-track should be installed prior to masonry.
- Track should be installed after masonry is complete to keep Shy-Zip retention system clean.



Site-built pocket with recessed side tracks

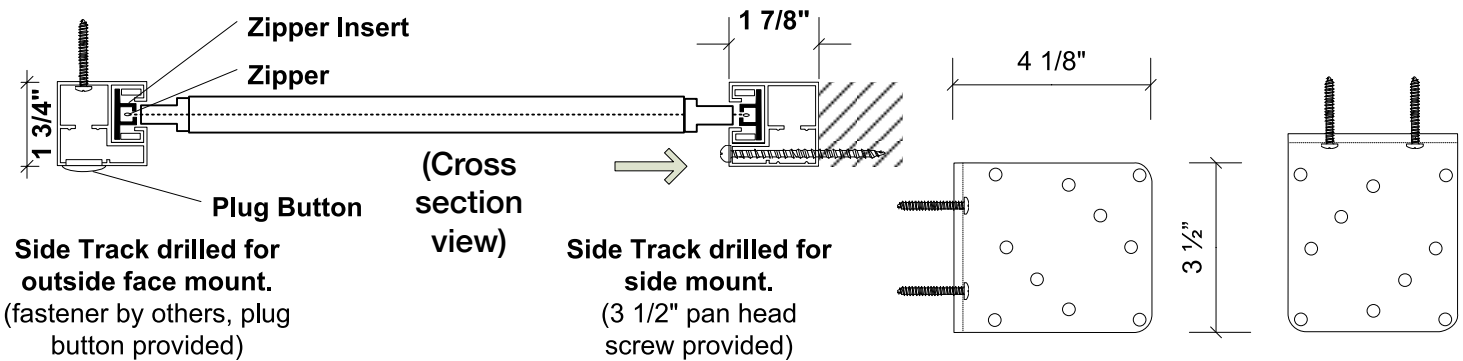
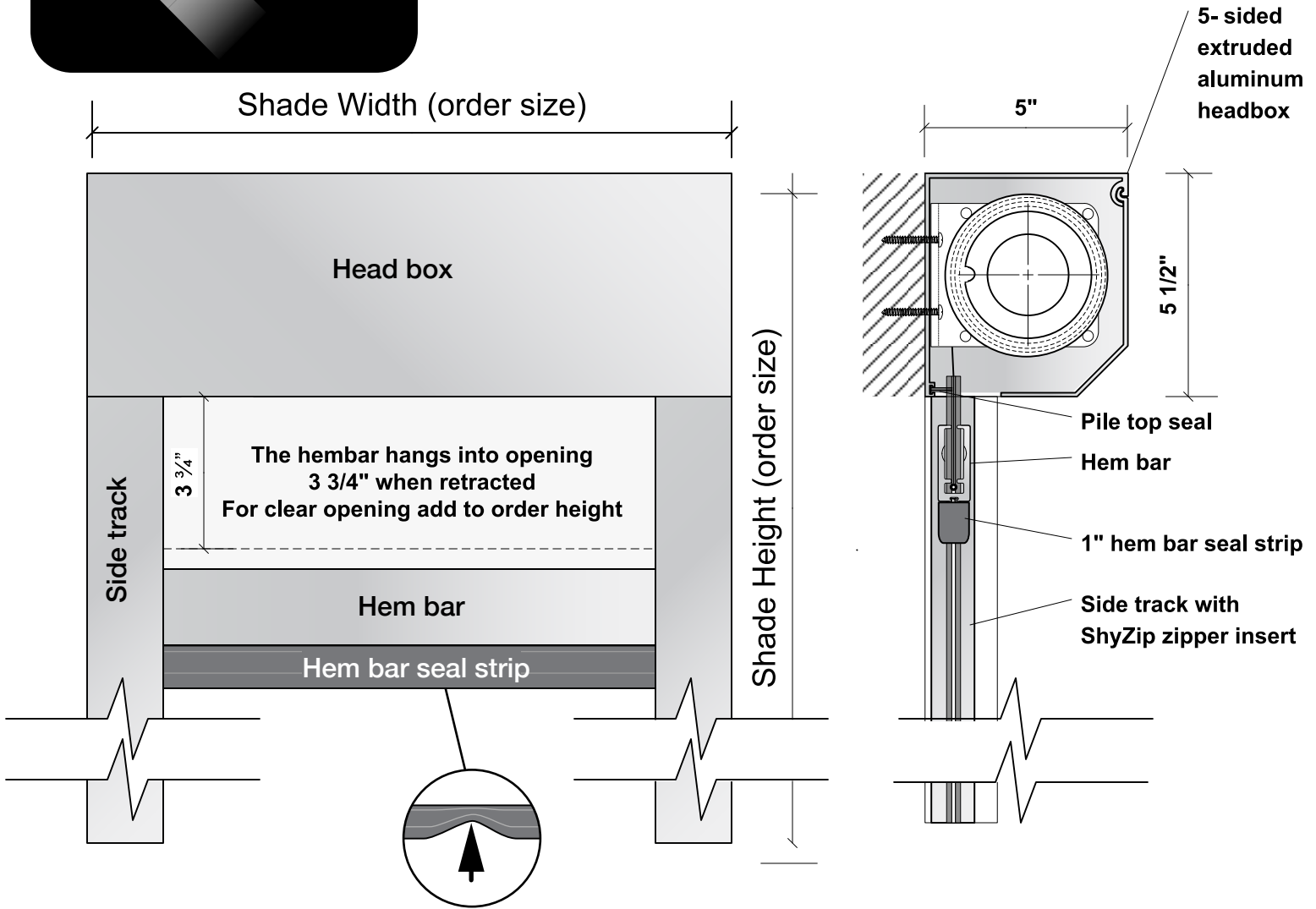
- Shade access becomes tricky with the shade being wider than the inside column width. Larger pocket depth required to enable shade installation.
- Shade access can be provided by removable access panel on bottom or front of pocket.





OASIS® 2900 SOLAR INSECT SHADE

With Shy Zip Side Track System



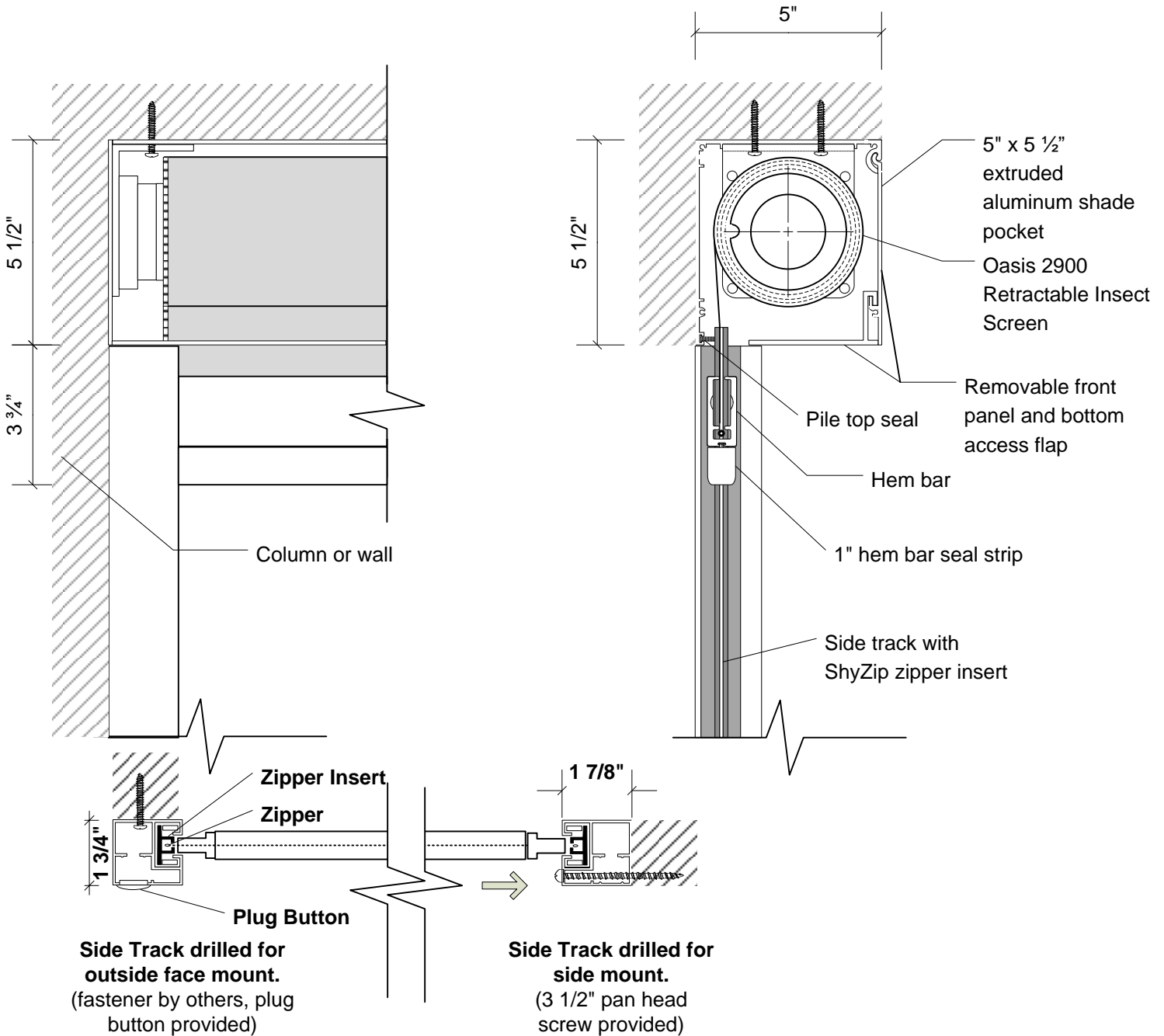
Notes:

1. Oasis® 2900 Solar Insect Shades are available motorized only.
2. Universal Shade Mounting Brackets used with exposed roller or within headbox (Wall or ceiling mount).
2. Insolroll uses the time proven SHY Zip technology to seal the edges of the shade. SHY Zip is a product of SHY Co. LTD of Japan and distributed exclusively in North America by its authorized sub-licensees.



OASIS® 2900 RETRACTABLE INSECT SCREEN

Pocket Detail with Removable Front Panel



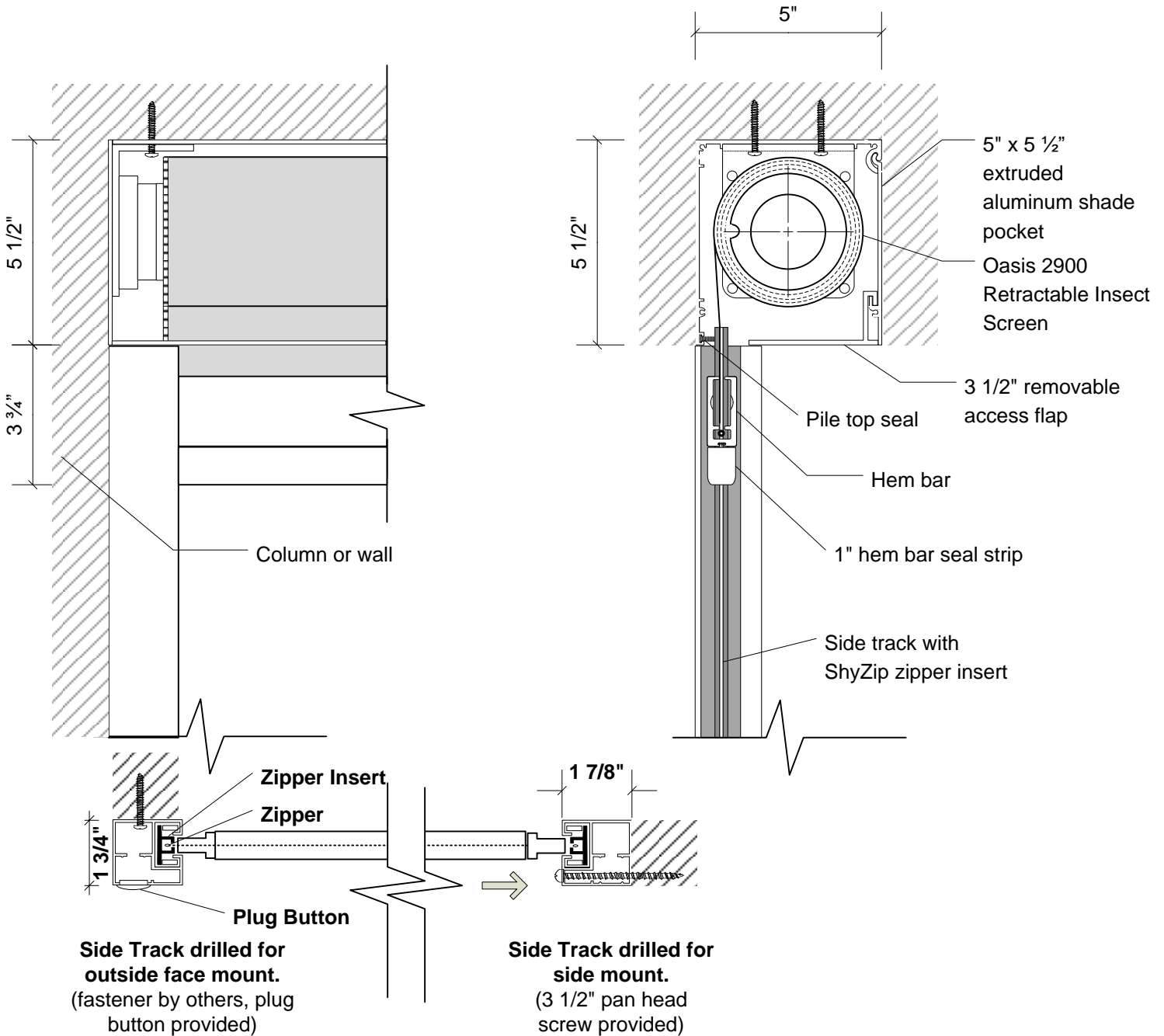
Notes:

1. Oasis® 2900 Retractable Insect Screens are available motorized only.
2. Shades hang below aluminum pocket or head box into side tracks 3 3/4" when retracted. For applications requiring hem bar above clear opening, design pocket depth at least 9" deep.
3. Insolroll uses the time proven SHY Zip technology to seal the edges of the shade. SHY Zip is a product of SHY Co. LTD of Japan and distributed exclusively in North America by its authorized sub-licensees.



OASIS® 2900 RETRACTABLE INSECT SCREEN

Pocket Detail with Exposed Side Track



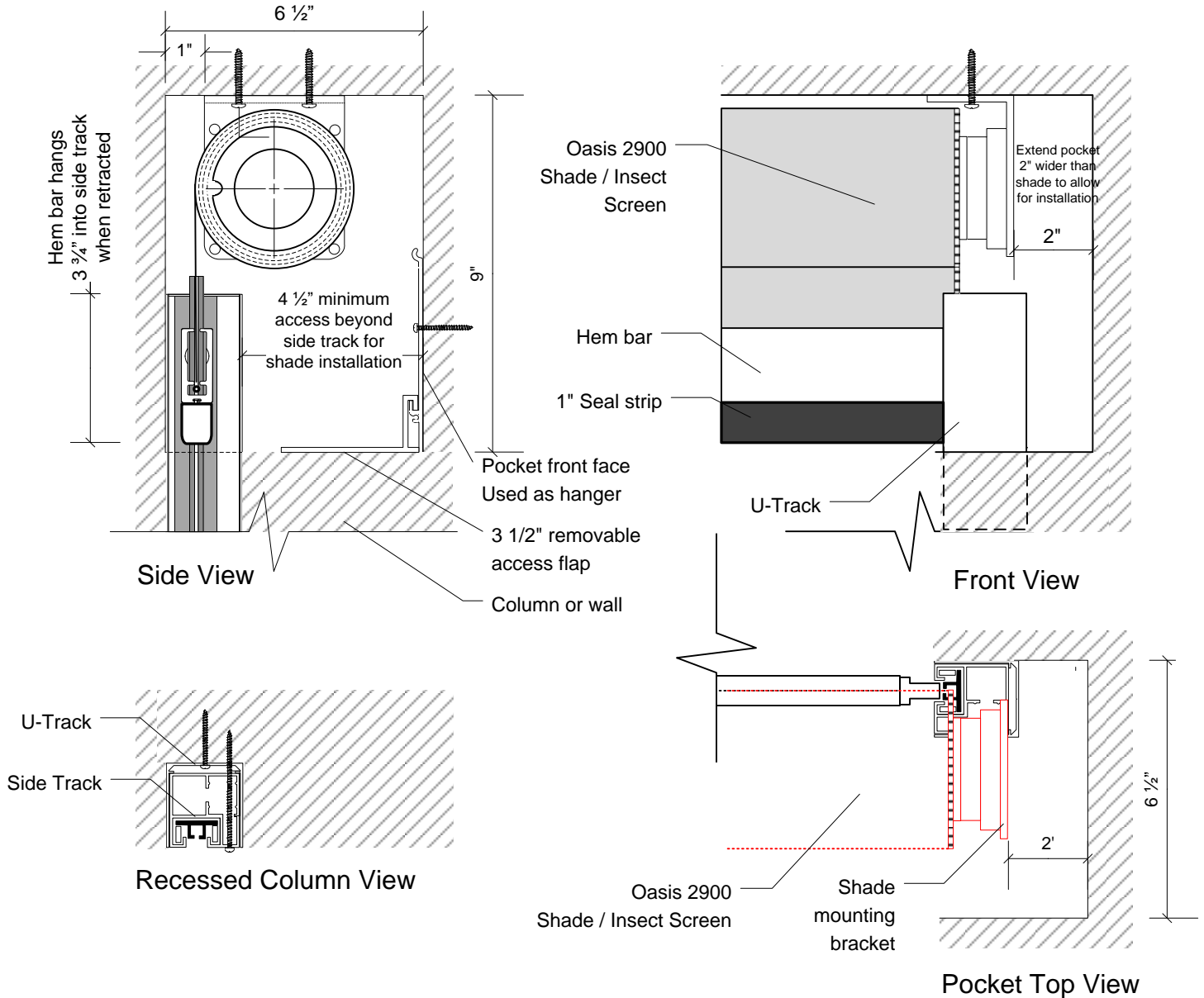
Notes:

1. Oasis® 2900 Retractable Insect Screens are available motorized only.
2. Shades hang below aluminum pocket or head box into side tracks 3 3/4" when retracted. For applications requiring hem bar above clear opening, design pocket depth at least 9" deep.
3. Side tracks need to be removed to remove shade and roller assembly.
4. Insolroll uses the time proven SHY Zip technology to seal the edges of the shade. SHY Zip is a product of SHY Co. LTD of Japan and distributed exclusively in North America by its authorized sub-licensees.



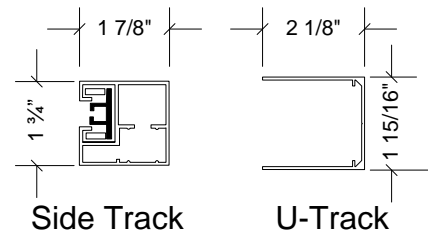
OASIS 2900 RETRACTABLE INSECT SCREEN

Site-Built Pocket and Recessed Side Track into Column



Notes:

1. Pocket conditions vary on every project. Specific drawings were created to show key dimensions required to maintain clear opening when retracted and access standards for installation and service.
2. Pocket with recessed side track must be 2" wider than outside side track width on each side.
3. Space for electrical connection may require additional pocket depth if J-box is needed.



Side Track Detail